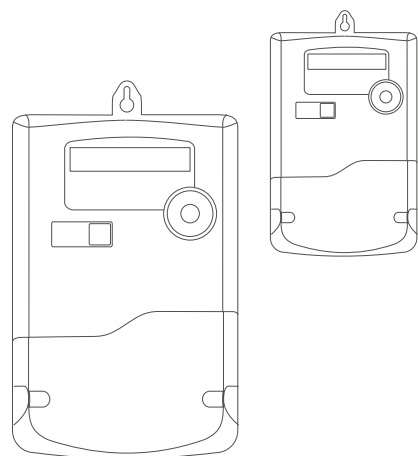


arkossa

POWERING YOUR SMART DATA



worker

# worker

**worker** is the perfect tool to manage any kind of DMLS meters on-site. It allows performance of maintenance and management tasks in an efficient and simple way.

The software and Bluetooth probe solution let the user perform on-site tasks in less time and in an easier way which will save the company time and money.

**worker**, whose design is based on mobility and easy handling, is an effective solution for management of DMLS meters locally, thus allowing a reduction of up to 35% of the time normally required.

## Software main features

The software **worker** incorporates the most common functions for meter management and maintenance tasks which are carried out daily.

- Meter identification and parameters.
- Meter clock synchronization.
- Passwords management.
- Tariffs and rates.
- Events log.
- Load profile and monthly billing.
- Reading of instantaneous values (current, voltage and power).
- Disconnection and reconnection of power control switch.
- Validation of the electrical installation.
- Different formats to export load profile and billing (csv, PIC).
- Firmware update

## Main features of the optical bluetooth probe

### Support to protocols:

- OPTICAL (IEC 62056 to 21)
- OPTICAL (IEC 60870/5 - 102)
- DLMS/COSEM.

**Easy to handle:** thanks to its wireless design, only connection of the probe to the optical port of the meter is required, thus allowing the user to operate from the most suitable location.

**Battery management:** to save energy, the optical probe automatically sets to "stand-by" mode if no traffic data exist for 30 seconds, so the battery allows on-site use for 8 hours with no restrictions and without the need to be additionally charged.

**LED Indicator:** the battery has a LED sign showing battery load and data traffic which facilitates the use of the device.



## Technical features of Bluetooth probe

- Battery charge: more than 90 days in "stand by" mode.
- Bluetooth version: Bluetooth 2.0® + EDR (Enhanced Data Rates).
- Frequency range: 2.400 to 2.483,5 MHz.
- Data transfer speed: up to 2 Mbps.
- Range: 5-10 m.
- Battery: Li-Ion / 250 mAh, Power 110-230 V AC / DC 5V, 0.5A.
- Operating temperature: -20 ° C - 85 ° C.
- IP Protection: IP 54
- Weight: 70g.
- Dimensions: (W x L) 42,7 mm x 47,3 mm

## Requirements for Windows devices

- Processor - Intel® Pentium® or compatible.
- Screen Resolution 1024x768 or above.
- 2 GB Ram Memory
- 3 GB disk space
- Microsoft Windows 7,8,10 (32-bit and 64-bit).
- DirectX 11.0 or superior.

## Requirements for Android devices

- Android Jelly Bean 4.4.2 or superior.
- Processor ARM Cortex-A with ARMv7.
- Tablet of either 7 or 10 inches recommended.

**Note:** Intel ATOM processors not supported.